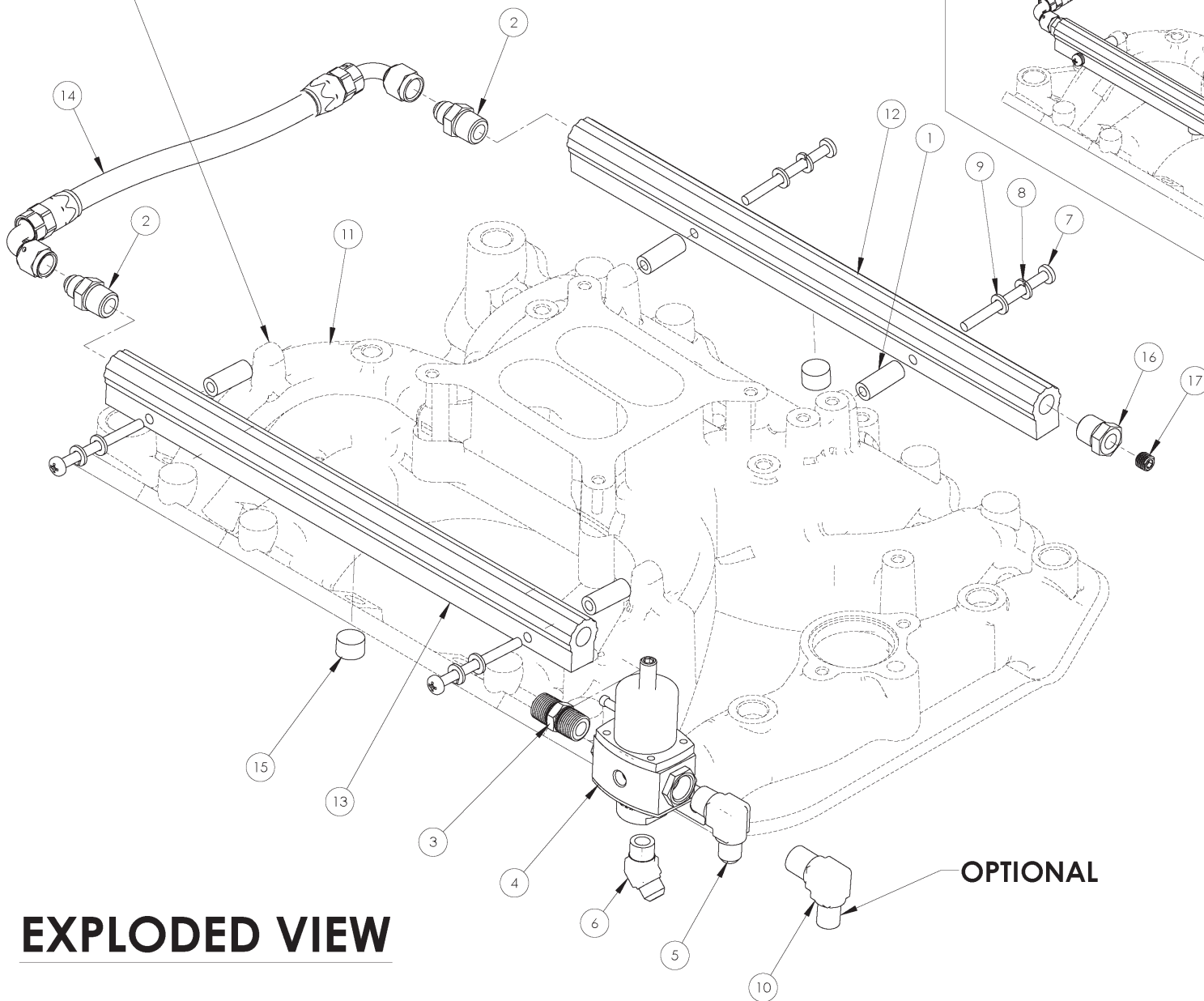


INTAKE MANIFOLD SHOWN FOR REFERENCE ONLY

**ASSEMBLED VIEW**



OPTIONAL

**EXPLODED VIEW**

17	15377	1/8 NPT PIPE PLUG	1
16	10602-06	3/8 TO 1/8 PIPE BUSHING REDUCER	1
15	15379	3/8 NPT PIPE PLUG	2
14	10619-90	HOSE ASSEMBLY 360mm	1
13	10619-02	FUEL RAIL - RED	1
12	10619-01	FUEL RAIL - RED	1
11	57025	INTAKE MANIFOLD	1
10	15264	-8 TO 3/8 NPT 90° FLARE	1
9	WASHER	M6 FLAT WASHER, SST	4
8	WASHER	M6 LOCKWASHER, SST	4
7	SCREW	M6 X 70mm PAN HEAD SCREW - SST CROSSED RECESSED	4
6	15254	3/8 NPT TO -6 AN, 45° FUEL RETURN	1
5	15262	-6 TO 3/8 NPT 90° FLARE	1
4	10671	FUEL PRESSURE REGULATOR	1
3	15333	3/8 NPT TO 3/8 NPT, NIPPLE	1
2	15240	3/8 NPT -6 AN FITTING	2
1	10618-03	FUEL RAIL MOUNTING STANDOFF	4

ITEM NO.	PART NUMBER	DESCRIPTION	QTY.
<b>PROPRIETARY AND CONFIDENTIAL</b>			
THE INFORMATION CONTAINED IN THIS		DRAWN: I ROMERO	DATE: 5/10/07
WITHOUT THE WRITTEN PERMISSION OF		CHECKED: S DAVIS	DATE: 5/10/07
PROFESSIONAL PRODUCTS IS FORTHRIGHT,		ENG. APPR.: J DAVIS	DATE: 5/10/07
		TEST: [ ]	DRWG. NO.: 10619
		REV: [ ]	

**PROFESSIONAL PRODUCTS**  
 OLDSMOBILE, DUAL PLANE  
 COMPLETE FUEL RAIL KIT