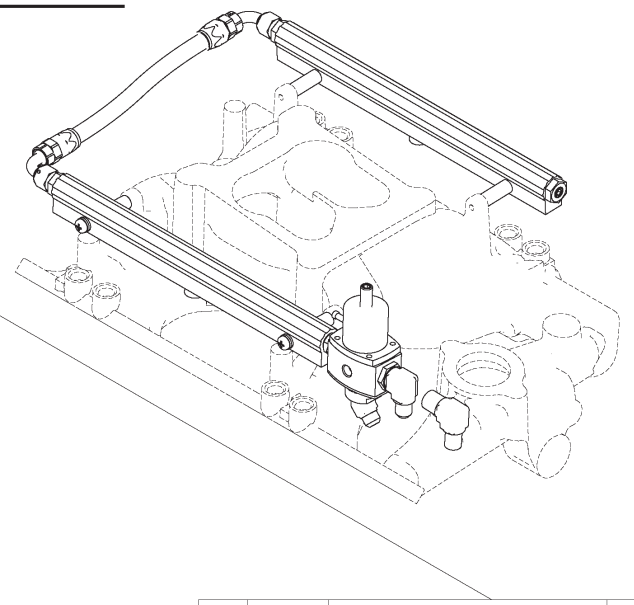


EXPLODED VIEW

INTAKE MANIFOLD SHOWN FOR REFERENCE ONLY

ASSEMBLED VIEW



17	15377	1/8 NPT PIPE PLUG	1
16	10602-06		1
15	15379	3/8 NPT PIPE PLUG	2
14	15264	-8 to 3/8 NPT 90° FLARE	1
13	WASHER	M6 FLAT WASHER, SST	4
12	WASHER	M6 LOCKWASHER, SST	4
11	SCREW	M6 X 65mm PAN HEAD SCREW - SST CROSSED RECESSED	4
10	15254	3/8 NPT TO -6 AN, 45° FUEL RETURN	1
9	15262	-6 to 3/8 NPT 90° FLARE	1
8	10671	FUEL PRESSURE REGULATOR	1
7	15333	3/8 NPT TO 3/8 NPT, NIPPLE	1
6	10618-90	HOSE ASSEMBLY 324mm	1
5	15240	3/8 NPT -6 AN FITTING	2
4	10618-02	FUEL RAIL - RED	1
3	10618-01	FUEL RAIL - RED	1
2	10618-03	FUEL RAIL MOUNTING STANDOFF	4
1	56027	INTAKE MANIFOLD, PONTIAC	1
ITEM NO.	PART NUMBER	DESCRIPTION	QTY.
PROPRIETARY AND CONFIDENTIAL		DATE	PROFESSIONAL PRODUCTS
THE INFORMATION CONTAINED IN THIS		1 ROMERO 5/10/07	PONTIAC, DUAL PLANE
DRAWN		5/10/07	COMPLETE FUEL RAIL KIT
CHECKED			
S DAVIS			
WITHOUT THE WRITTEN PERMISSION OF		DATE	DWG. NO.
PROFESSIONAL PRODUCTS IS FORTHWITH.		J DAVIS 5/10/07	A2 10618