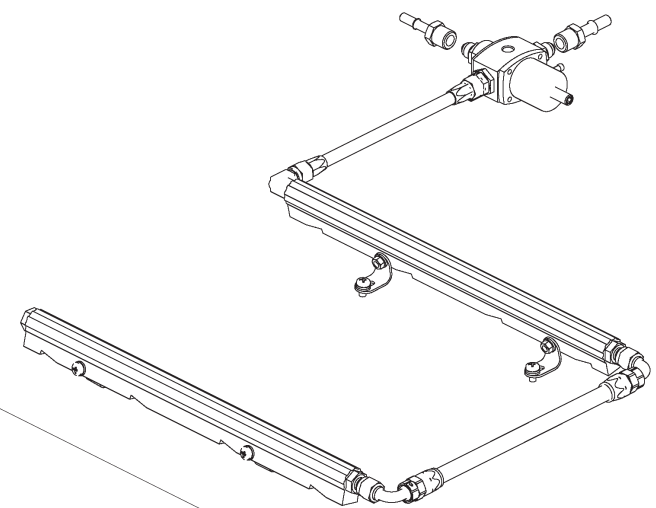


EXPLODED VIEW



ASSEMBLED VIEW

18	14010-16	-06 STAINLESS STEEL BRAIDED HOSE 406.4mm (16 INCHES)	1
17	15001	-6 AN HOSE END	2
16	SCREW	M6 X 15mm CROSS RECESSED PAN HEAD - SST	4
15	15262	-6 to 3/8 NPT 90° FLARE	1
14	10611-90	HOSE ASSEMBLY 324mm	1
13	52180	3/8 NPT FUEL INLET FITTING	1
12	52184	3/8 NPT FUEL RETURN FITTING	1
11	15240	3/8 NPT -6 AN FITTING	4
10	NUT	M6 HEX NUT, SST	4
9	WASHER, LOCK	M6 LOCK WASHER, SST	8
8	15377	1/8 NPT PIPE PLUG	1
7	10602-06	3/8 TO 1/8 PIPE BUSHING REDUCER	1
6	15243	3/8 TO -8 AN FITTING	1
5	10671	FUEL PRESSURE REGULATOR	1
4	WASHER	M6 FLAT WASHER NARROW, SST	8
3	SCREW	M6 X 30mm CROSS RECESSED PAN HEAD, SST FUEL RAIL MOUNTING BRACKET	4
2	10610-02	FUEL RAIL MOUNTING BRACKET	4
1	10610-01	FUEL RAIL - RED	2
ITEM NO.	PART NUMBER	DESCRIPTION	EXPLODED VIEW/QTY.

PROPRIETARY AND CONFIDENTIAL
 THE INFORMATION CONTAINED IN THIS DRAWING IS THE SOLE PROPERTY OF PROFESSIONAL PRODUCTS. ANY REPRODUCTION IN PART OR AS A WHOLE WITHOUT THE WRITTEN PERMISSION OF PROFESSIONAL PRODUCTS IS PROHIBITED.

DRAWN BY: I ROMERO
 CHECKED: S DAVIS
 PROJ. APPR: J DAVIS

DATE: 5/10/07
 DATE: 5/10/07
 DATE: 5/10/07

PROFESSIONAL PRODUCTS
 1997-98 LS1
 COMPLETE FUEL RAIL KIT
 REF. DWG. NO.: 10611